

**Length** 59.37 in (1508 mm)  
**Width** 26.77 in (680 mm)  
**Height** 1.34 in (34 mm)  
**Frame** Aluminum  
**Weight** 25.02 lb (11.8 kg)



# Sunmodule®

## SW 130/135/140 poly R6A

### World class quality

SolarWorld produces the best products with the highest quality, manufactured according to German and US quality standards in fully-automated ISO 9001 and 14001 certified factories.

### Outstanding products

SolarWorld's modules were assessed by the ÖKO-TEST consumer magazine as "excellent".

### An experienced industry leader

With over 30 years of experience in off-grid solar applications – SolarWorld delivers top products and technical experience at the highest levels. Our modules are installed in over 100,000 Telecom/Industrial systems worldwide. Nobody else comes close.



# Sunmodule®

## SW 130/135/140 poly R6A

### PERFORMANCE UNDER STANDARD TEST CONDITIONS (STC)\*

		SW 130	SW 135	SW 140
Maximum power	$P_{max}$	130 Wp	135 Wp	140 Wp
Open circuit voltage	$U_{oc}$	21.5 V	22.0 V	22.1 V
Maximum power point voltage	$U_{mpp}$	17.4 V	17.5 V	18.0 V
Short circuit current	$I_{sc}$	7.99 A	7.99 A	8.35 A
Maximum power point current	$I_{mpp}$	7.49 A	7.49 A	7.85 A

\*STC: 1000W/m<sup>2</sup>, 25°C, AM 1.5

### PERFORMANCE AT 800 W/m<sup>2</sup>, NOCT, AM 1.5

		SW 130	SW 135	SW 140
Maximum power	$P_{max}$	94.6 Wp	94.6 Wp	102.1 Wp
Open circuit voltage	$U_{oc}$	19.8 V	19.8 V	20.0 V
Maximum power point voltage	$U_{mpp}$	15.8 V	15.8 V	16.3 V
Short circuit current	$I_{sc}$	6.44 A	6.44 A	6.73 A
Maximum power point current	$I_{mpp}$	5.99 A	5.99 A	6.28 A

Minor reduction in efficiency under partial load conditions at 25°C: at 200W/m<sup>2</sup>, 95% (+/-3%) of the STC efficiency (1000 W/m<sup>2</sup>) is achieved.

### COMPONENT MATERIALS

Cells per module	36
Cell type	Poly crystalline
Cell dimensions	6.14 in x 6.14 in (156 mm x 156 mm)
Front	tempered glass (EN 12150)

### SYSTEM INTEGRATION PARAMETERS

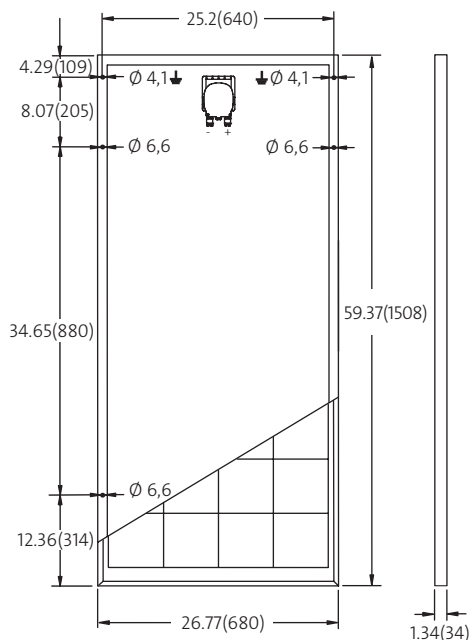
Maximum system voltage SC II	1000 V
Maximum reverse current	12 A
Increased snowload acc. to IEC 61215	5,4 kN/m <sup>2</sup>
Number of bypass diodes	2

### THERMAL CHARACTERISTICS

NOCT	46 °C
TC $I_{sc}$	0,034 %/K
TC $U_{oc}$	-0,34 %/K
TC $P_{mpp}$	-0,48 %/K

### ADDITIONAL DATA

Power tolerance	+/- 5 %
J-Box	IP65
Maximum outer cable diameter	0.27 in (6.9 mm)
Maximum wire cross section	0.006 in <sup>2</sup> (4 mm <sup>2</sup> )



- Qualified, IEC 61215
- Safety tested, IEC 61730
- Periodic Inspection



SolarWorld AG reserves the right to make specification changes without notice. This data sheet complies with the requirements of EN 50380.