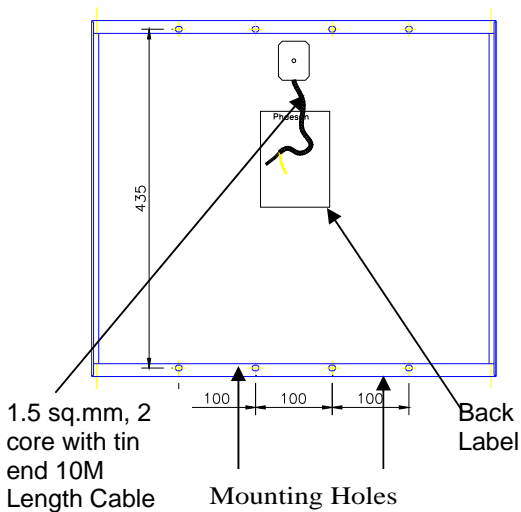
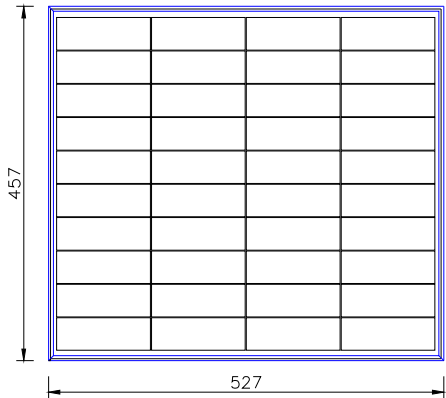
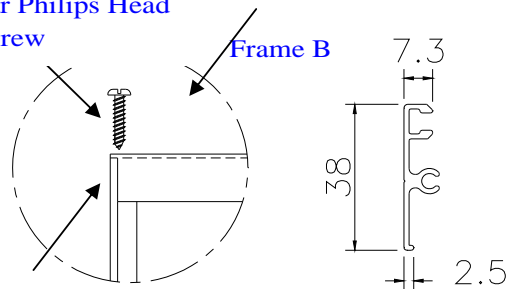


# Solar Module U5 030C2



### Aluminum Frame Details

Star Philips Head Screw



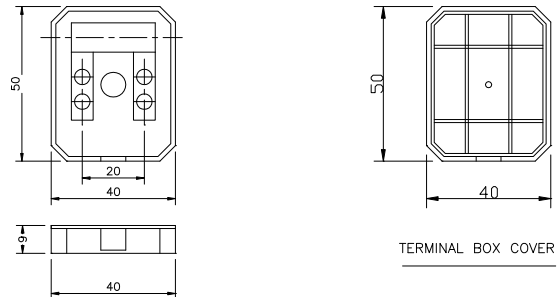
Frame A

Frame A

Frame B

Solar Module U5 030C2		
<b>Electrical Parameters</b>		
Maximum power rating Pmax [Wp]		<b>30</b>
Rated current Imp [A]		<b>1.61</b>
Rated voltage Vmp [V]		<b>18.7</b>
Short circuit current Isc [A]		<b>1.89</b>
Open circuit voltage Voc [V]		<b>22.7</b>
Minimum Warranted Power Pmin [Wp]		<b>27</b>
<b>Cell Specifications</b>		Cut cells from 125 mm PSQ Mono crystalline Cells
<b>Number of Cells</b>		<b>40 CELLS</b>
<b>Thermal parameters</b>		
NOCT [°C]		45±2
Temp. Coefficient: short-circuit current [A]		1.2mA/°C
Temp. Coefficient: open-circuit voltage [V]		0.77mV/°C
<ol style="list-style-type: none"> <li>Wp (Watt peak) = Peak Power Air mass AM = 1.5 Irradiance E = 1000W/m<sup>2</sup> Cell temperature Tc = 25°C</li> <li>Normal operating Cell Temperature at : Irradiance E = 800W/m<sup>2</sup> Cell temperature Tu = 20°C Wind speed Vw = 1 m/s</li> <li>Diagonal lifting of module plane</li> <li>Per IEC 61215 Test requirements</li> </ol>		

### Junction Box details



TERMINAL BOX COVER

**Udhaya Energy Photovoltaics Pvt Limited,**  
1/279z, Mudalipalayam, Arasur (P.O)  
Coimbatore 641 407  
Tamil Nadu, INDIA

Website: [www.upvsolar.com](http://www.upvsolar.com)  
E-Mail: [info@upvsolar.com](mailto:info@upvsolar.com)  
Tel: +91 422 2361170,  
+91 98944 99910  
Fax: +91 422 2361180  
+91 422 2560992

Your address for Photovoltaics from  
**UPV SOLAR**

24.11.05 V1