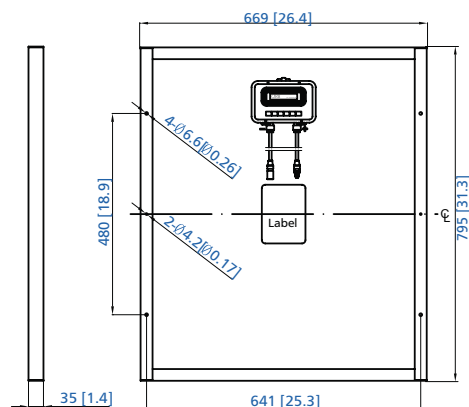


Phaesun Solar module PN SPR S85

Phaesun's 85W monocrystalline modules has multiple advantages. These modules are made with back-contact monocrystalline solar cells which are aesthetically pleasing in appearance. The cells have a unique structure, different from conventional cells, they yield average conversion efficiencies up to 20%.

Performance features:

- Photovoltaic modules made with unique back connected cells
- Cells with high conversion efficiency up to 20%
- Black modules available on request
- Manufactured in ISO9001 certified factory
- Also available in various frame colours
- Design to charge 12 to 48 V batteries for off-grid remote systems
- Made with high quality materials which qualifies high reliability of modules



Technical Data	PN SPR S85
Electrical Parameters	
Max Power (Pm)	85 W
Voltage at Max Power (Vmp)	15.9 V
Current at Max Power (Imp)	5.34 A
Open Circuit Voltage (Voc)	19.0 V
Short Circuit Current(Isc)	5.98 A
Cell Efficiency	19.6%
Module Efficiency	16.0%
Max Power Tolerance	±5%
Nominal Operating Cell Temp.	46°C ±2
Max System Voltage	70V
Mechanical Parameters	
Cells Type & No.	30 Mono. BackContact
Frame	>15µm clear anodized
Junction Box	Cixi Renhe/PV-RH0502 (IP65)
Connector	Cixi Renhe
Cables	Cixi Renhe 12AWG 900mm (35.4in)
Dimensions	795 x 669 x 35 mm
Weight	7kg (15.43 lbs)
Temperature Coefficients	
Power	-0.38%/°C
Voltage	-57mV/°C
Current	3.5mA/°C

